

Microflush Half Gallon Toilets

**Model LF-220
DC Operated**



**Installation/Service Manual
P/N 24155**



452 East Hill Road, Willits, CA 95490 USA
Tel: 707.459.5563 Tel: 800.358.8280 Fax: 707.459.6617
www.microphor.com www.wabtec.com

Thank You!

Thank you for purchasing a Microphor product. Please read this manual completely prior to installation of your Microflush® toilet. Microphor General Terms and Conditions Covering Sales apply.

Customer Service

If you have any questions concerning your Microphor product, please contact us:

8:AM-5:PM PST Monday-Friday
Tel: (800) 358-8280 or (707) 459-5563
Fax: (707) 459-6617, 24 hour
Website: www.microphor.com

Patents

Microflush toilets are covered by one or more of the following U.S. patents 5245710; 4918764; 1280554; 169471 and related foreign patents.

Changes in Design

Continuing a policy of research and development, Microphor reserves the right of price, product or design change without notice or obligation.

Cautions

Do Not Use products containing petroleum distillates or formaldehyde on any rubber parts.

Use only Silicone Lubricants!

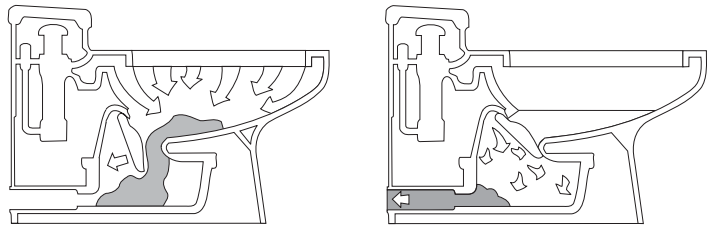
Do Not Use any "Loctite" brand adhesive on any plastic or Delrin components as fumes will cause damage to plastic parts. System vacuum breaker is not intended to be pressurized longer than a normal flushing cycle. System vacuum breaker is not intended to be pressurized longer than a normal flush cycle.

Flush Cycle Operation

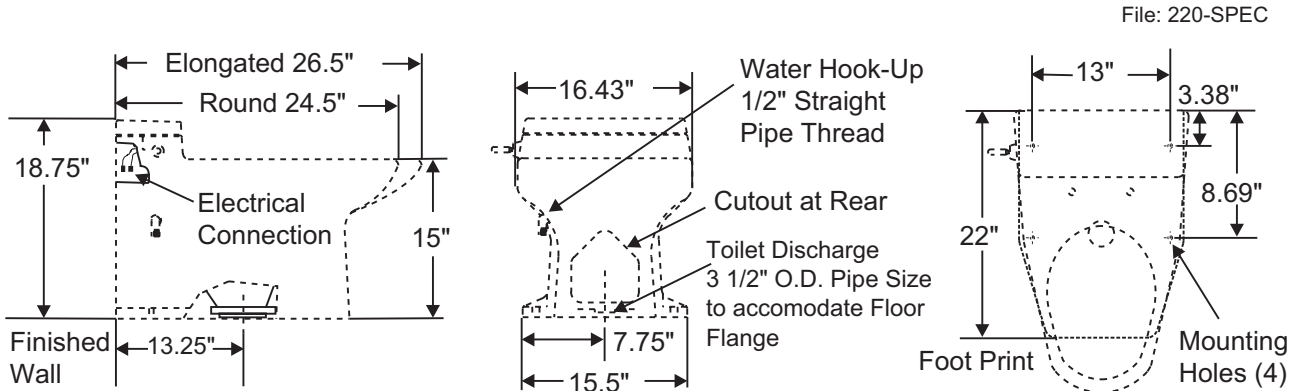
The Model LF-220 Microflush Toilet is an electrically operated drop-through type toilet using approximately two quarts of water per flush. Wastewater is flushed from the bowl through a Hopper and drops directly into a holding tank. A Flapper valve at the bottom of the bowl holds fresh water in the bowl and seals out odors from the holding tank.

1. When the flush lever is operated, a motor-driven cam begins to turn which opens the Flapper valve at the bottom of the bowl, allowing the wastewater to flow down into a holding tank. Simultaneously, the water solenoid valve opens, allowing fresh water to flow from the rim and rinse the bowl. The cam continues to turn and the Flapper will close again after approximately 4-5 seconds.
2. After the Flapper has closed, fresh water continues to enter the bowl to a predetermined level until the Timer closes the solenoid valve. An adjustment on the Timer allows adjustment of the water level in the bowl to compensate for water pressure fluctuations. A vacuum breaker is provided as an anti-siphon device.

Flush Cycle



Model LF-220 Downward Discharge (All dimensions +/- 0.5")



File: 24155
Rev: 04/05

Installation

Refer to Rough-In Dimensions

Note: This toilet is a drop-thru unit. No horizontal waste line runs may be utilized. Contact the factory for specific application data.

Mounting Toilet

Turn toilet upside-down and place enclosed Wax Ring (P/N 27208), onto the bottom of mounting flange of the toilet hopper. Carefully turn toilet right-side up and place over the center of a standard floor discharge flange. Press toilet down firmly and evenly to form a seal between the wax ring and the floor flange. Mount the toilet to the floor with the four Closet Screws and install Bolt Caps over the closet screws (both provided).

Electrical Connection

See Rough-In Dimensions and Exploded View. Connect 12 volt DC power source to the insulated .25" spade connector near the Timer and Thermal Circuit Breaker: red wire to positive (+), black wire to negative (-).

Water Connection

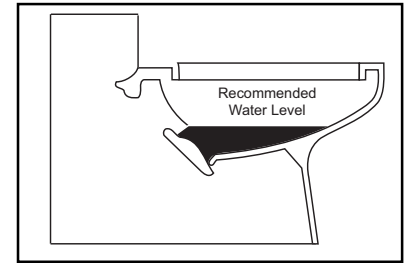
See Rough-In Dimensions.

Connect fresh water from an angle stop to the 1/2" threaded water supply connection on the side of the bowl installing Filter Screen (P/N 29146). Take care not to cross the threads. **Incoming water pressure must be between 20-50 PSI, with a minimum flow rate of 2.5 GPM at the toilet.**

Ideal water pressure is 35 PSI at the toilet. Be sure water lines are free of debris before connecting water supply to toilet. Water supply to the toilet is to be 1/2" OD plumbed directly to the toilet. Do not install filter(s) in the toilet water supply line.

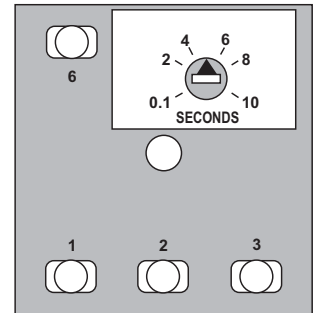
Water Level

The normal water level is factory preset to the top of the Flapper.



Water Level Adjustment

Locate the timer on the bracket under the china lid. Turn Timer adjustment knob clockwise to increase water level, and counterclockwise to decrease. Do not turn past stops.



File: Timer

Seat Installation

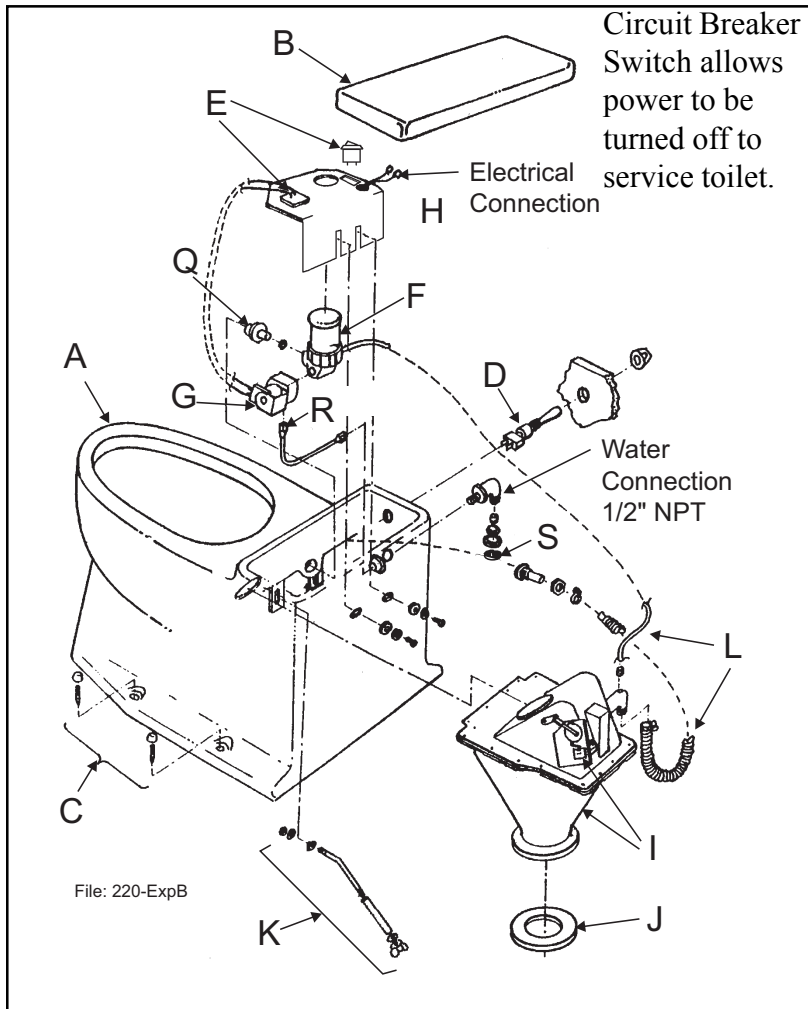
Place the seat over the bowl opening, so that the mounting hinges on the seat align with the two holes in the bowl just behind the bowl opening. Insert the two seat mounting screws provided with the seat into the hinges' holes and mounting holes in the bowl, from the top. Install washers and mounting nuts provided with the seat, from underneath, and tighten firmly. Install screw head cover tabs or other hardware provided with the seat, per seat manufacturer's instructions.

Maintenance

If the toilet is to be out of service for a period of time, spray 100% silicone on the flapper seal when the flapper is open to prevent it from becoming dry.

Winterizing

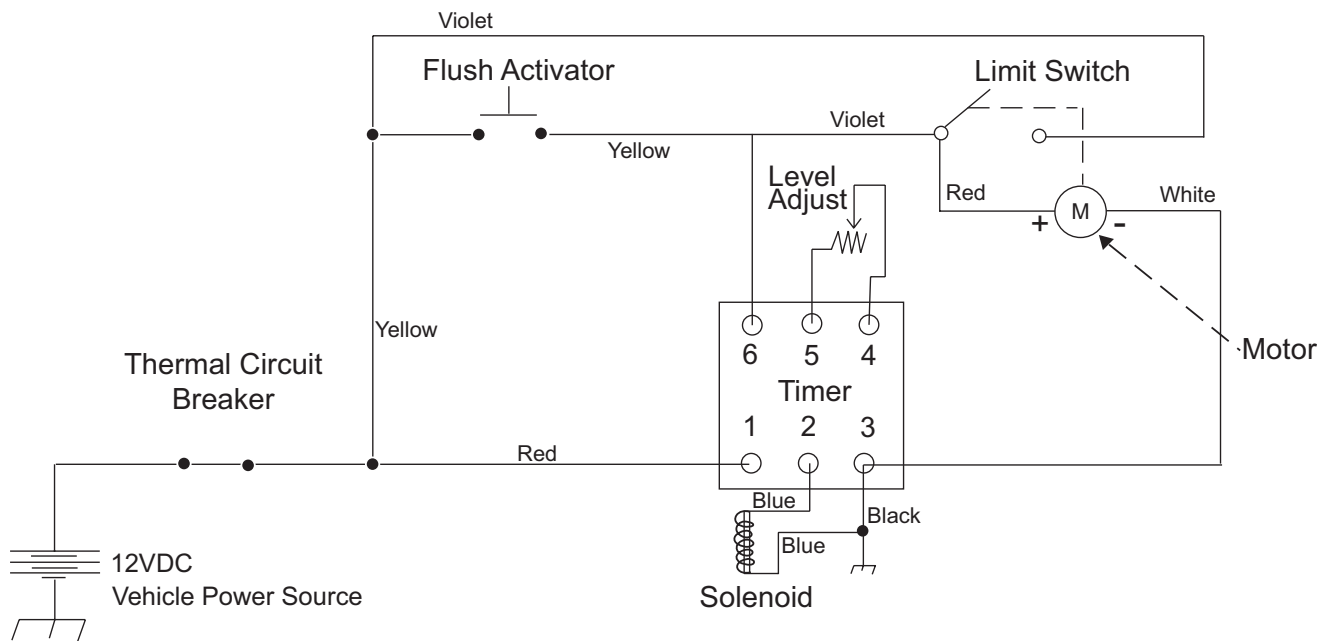
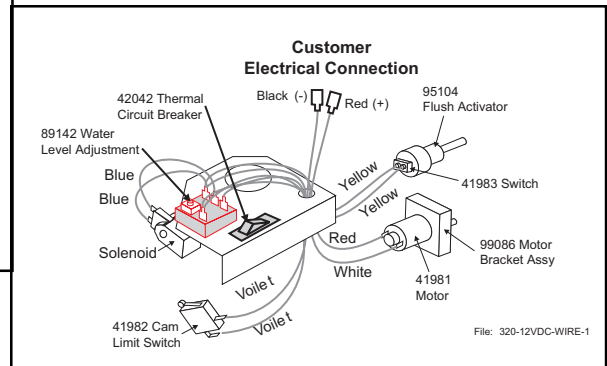
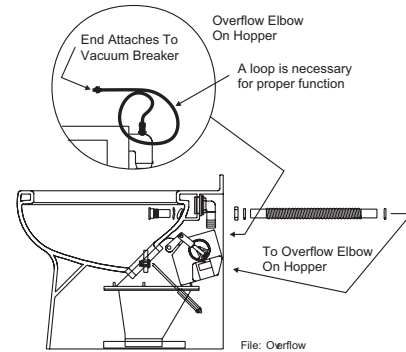
Shut OFF water to toilet. Flush toilet three times or until water no longer flows into the bowl. Unhook water supply at angle stop. Empty water in line into receptacle.



Ordering and Factory Assistance

For assistance with procedures not covered in this manual, or to order spare or replacement parts, please call toll free 800-358-8280, 8:00 a.m. to 5:00 p.m. PST, and ask for Commercial Products Division Customer Service.

Overflow Water Lines (optional, depending upon model)



Parts Chart

PART		P/N	
A	Bowl - state color	Call	
B	Lid - state color	Call	
C	Mounting Bolts - state color	Call	
D	Flush Activator	Complete Assembly	95104
		Switch	41983
		Mounting Nut	00098
		O-Ring	27232
E	Timer Assembly	Timer	89142*
		Thermal Circuit Breaker Switch	42042
F	Vacuum Breaker Assembly	see <i>Vacuum Breaker Service</i>	33540
G	Solenoid Valve Assembly	see <i>Solenoid Valve Cleaning</i>	89134-3
H	Mounting Bracker		91022
I	Hopper Assembly see <i>Hopper</i> see <i>Flapper Adjustment</i>	Hopper Assembly without Motor	90056
		Hopper Assembly with Motor Assembly	90028-3
	Motor Assemby see <i>Flapper Adjustment</i> see <i>Clevis exploded view</i> see <i>Wiring Schematic</i>	Motor	41981
		Cam with Set Screw	91865*
		Motor with Bracker Assembly	99086
		Limit Switch	41982*
J	Floor Seal	Wax Ring	27208
K	Hopper Mounting Assembly (J-Bolts)		90899-3
L	Overflow Assembly		96385
Q	Spud Assembly	Complete Assembly	96347
		O-Ring	27224
R	Water Supply Tube	Complete Assembly	96392
		Elbow	96387
S	Water Filter Screen		92060
K I T S	Flapper Replacement Kit		90066-3*
	Hopper Adapter Kit		24770-3
	Solenoid Valve Service Kit		40037*
	Vacuum Breaker Service Kit		95037*
	Silicone Lubricant		26856
	Master Service Kit		94175

*Items shown with asterisk are in Master Service Kit, P/N 94175

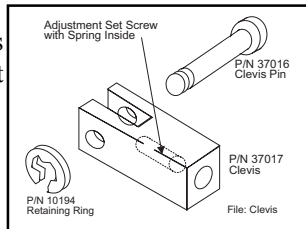
Service Procedures

Before performing any service procedures, turn off water and electrical power to toilet.

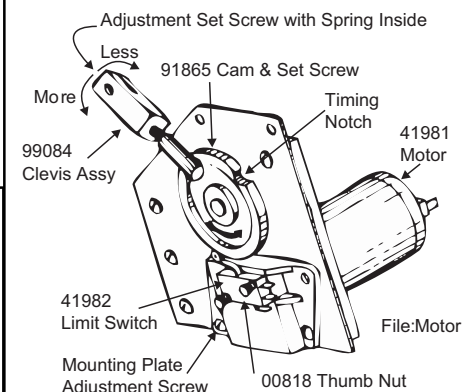
Flapper Adjustment

Flapper Replacement Kit, P/N 90066-3

1. Remove toilet from floor. Locate flapper operating linkage on the side of the hopper.
2. Remove the clevis pin retaining ring. Remove clevis pin.
3. Adjust as necessary by turning the 3/8" set screw inside the clevis as required, then replace the clevis pin and retaining ring. Turn clockwise to increase flapper seal tension, counterclockwise to decrease. Inspect the crank arm, clevis and clevis pin for wear; replace if required. Do not turn bolt more than three (3) complete turns.



Flapper Adjustment



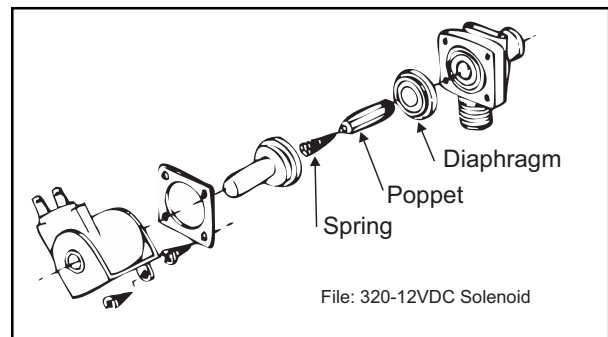
To Change Flapper Gasket

1. Turn water and air off.
2. Reach behind flapper to grasp gasket tails.
3. Pull tails out of slots to remove old gasket.
4. Installation is the reverse of removal.
5. Tails must be pulled all the way through to insure smooth surface.

Solenoid Valve Cleaning

Solenoid Service Kit, P/N 40037

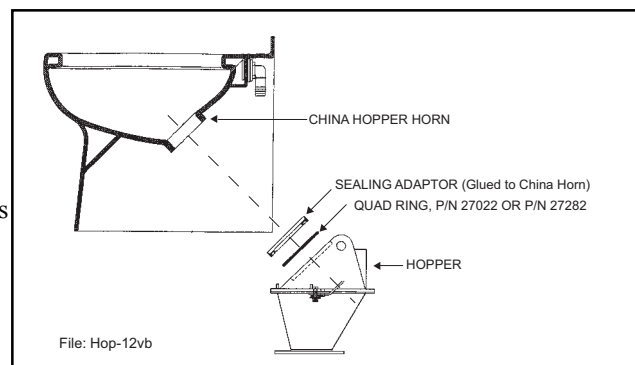
1. Disconnect the power by removing the two (2) blue wires from the solenoid.
2. Disconnect the water supply line at china end.
3. Remove two (2) screws securing the solenoid to the mounting bracket.
4. Pull solenoid away from the Vacuum Breaker.
5. Remove water supply line.
6. Remove four (4) screws from Solenoid Valve Body and remove spring and diaphragm.
7. Clean holes in the diaphragm if clogged. Inspect solenoid for debris and clean. Reassemble in reverse order.



Hopper Removal and Resealing

Hopper Replacement Kit, P/N 24770-3

1. Remove toilet from the floor. Place toilet upside down on a sheet of cardboard or other padded material.
2. Remove J-Bolts nuts from hopper sides - lift the hopper off.
3. Remove quad ring between hopper and seal adaptor. Check that the quad ring is not damaged, replace quad ring if necessary.

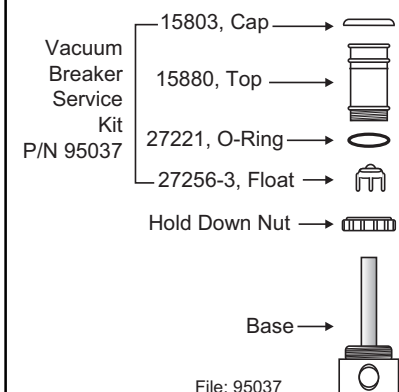


Vacuum Breaker Service

Vacuum Breaker Service Kit, P/N 95037

1. If water is visible at the top of the vacuum breaker during operation, apply some silicone lubricant to the underside of the white float and to the O-Ring located at the upper end of the body.
2. To disassemble the vacuum breaker, remove the snap-on cap and unscrew body from the bracket. The white float inside can now be removed.
3. No service procedures are required for the lower portion of the vacuum breaker.

Vacuum Breaker



Troubleshooting Guide

Problems	Cause	Remedy
Water drains from bowl	Nicks or obstructions on Flapper seat	Replace Flapper, Service Kit P/N 90066-3
	Insufficient Flapper tension	See Flapper Adjustment
	Flapper seal worn or damaged	Replace Flapper - Kit P/N 90066-3
Water level too high	Water level control out of adjustment	Turn Level Adjustment 1/8 turn at a time to raise or lower water level; Clockwise to raise, counterclockwise to lower.
	Fluctuating water pressure	Regulate water pressure
	Timer malfunction	Replace Timer - Reference Timer drawing
Water continues to run	Obstruction in water Solenoid Valve	Remove and inspect Solenoid Valve -see Solenoid Valve Cleaning
Toilet continues to cycle after initial flush cycle is complete - or only partially cycles	A cracked cam	Replace cam -reference Flapper Adjustment Drawing
	Defective Cam Switch; switch out of adjustment	Adjust or replace Cam Switch -reference Flapper Adjustment Drawing
	Defective Timer	Disconnect either purple wire at limit switch. If toilet continues to cycle, the timer is defective. If the toilet stops cycling, the limit switch either is not adjusted properly or is faulty.
Water leaking on floor	The hopper has been jarred loose from the bowl	Reseal Hooper -see Hopper Removal/Reseal
	Defective wax ring at toilet to floor connection	Replace the wax ring
	Loose water supply connection at toilet	Disconnect water line to toilet, add Teflon tape to threads, reconnect
No water	Water turned off	Turn water on
	Water inlet filter screen clogged	Clean water inlet filter screen
	No power to valve	Check for DC power at Solenoid Valve during flush cycle
	Defective Timer	Check Timer operation - replace if necessary
Toilet doesn't activate	No power	Restore power
	Tripped Circuit Breaker	Reset Circuit Breaker Switch. Determine cause of tripped breaker if possible before operating toilet
	Disconnected wires	Check all wiring connections
Water is visible at Vacuum Breaker when flushed	Insufficient lubrication; Worn vacuum breaker seal	Service Vacuum Breaker Kit, P/N 95037

If you have any questions or need assistance, call 800.358.8280

Changes in Design: Continuing a policy of research and development, Microphor reserves the right of price, product, or design change without notice or obligation.

General Terms and Conditions Covering Sales

All sales of merchandise by Microphor are subject to the General Terms and Conditions as provided herein and on invoices issued by Microphor.

PRICES: All goods and products sold by Microphor will be billed to its customers according to the price lists contained in the current bulletins and price lists issued by Microphor. All prices are subject to change without notice and supersede all prior price lists. Microphor assumes no obligation to sell to anyone at any price or at any of the terms listed herein.

TERMS: Customer orders will be accepted subject to credit investigation, and approval, and delivery may be withheld on accepted orders, other than cash in advance, without any liability on the part of Microphor if, in its opinion, there is doubt concerning the ability of the customer to pay for merchandise ordered under the terms and conditions contained in current bulletins and price lists issued by Microphor. After delivery of merchandise, should Microphor, at its sole discretion, institute legal action for collection, customer agrees to pay all attorney fees and costs incurred by Microphor by reason of such action.

FREIGHT AND DELIVERY: PRICES ARE F.O.B. FACTORY: Delivery to the initial carrier shall constitute delivery to the customer. Microphor's responsibility ceases upon delivery in good order to the carrier and all goods are shipped at the customer's risk. Customer shall be responsible for filing a claim with carrier. Microphor shall not be liable for any delay or failure in the delivery or shipment of merchandise against an accepted order or for any damages suffered by reason thereof when such a delay or failure is, directly or indirectly, due to accident (in manufacture or otherwise) fire, flood, riot, war, embargo, labor stoppage, delays in transportation, inadequate transportation, shortage of materials or supplies, regulation by Government authority or any like or dissimilar cause or causes beyond the control of Microphor. Shipping weights and freight estimates given are approximate, for customer's convenience only, and are not guaranteed.

SHORTAGES OR VARIANCES: No claims for variances from or shortages in orders will be honored unless presented within fifteen (15) days after customer's receipt of order.

CANCELLATION OF ORDERS: After a purchase order has been provided by customer, written or oral, an order may be modified canceled only upon written confirmation by Microphor. Additional costs incurred by Microphor as the result of modification or cancellation will be billed to customer. Orders for merchandise requiring special manufacturing or supervision, or articles of a special nature, will not be canceled after production is commenced.

TAXES: Taxes, whether local, state or U.S. government now in effect, or hereafter levied, upon the product, sale thereof, use, shipment, or otherwise, of goods ordered or sold shall be charged to and paid by customer.

CHANGES IN DESIGN: Factors beyond the control of Microphor, the need for continuing improvement of product for competitive reasons, or for any other reason, may require changes from time to time in products and their packaging. Microphor reserves the right to make such changes of any kind, at any time, without notice. Microphor may also, from time to time discontinue the sale of its products, without notice.

LIMITED WARRANTY: Microphor warrants its products to be free from significant defects in material and workmanship under normal use and service for a period of two (2) years from the date of purchase, by the original purchaser. THE OBLIGATIONS OF MICROPHOR UNDER THIS WARRANTY are limited to the repair or replacement, at Microphor's option, of defective parts of the product which shall, within two (2) years from the date of purchase, (Note: certain air compressors and their parts, oily water separators and their parts are warranted for one (1) year from date of purchase.) be returned with proof of purchase to Microphor's factory, Willits, CA, TRANSPORTATION CHARGES PREPAID. When it is impractical to return the defective parts of such products to Microphor's factory, then Microphor shall be liable solely for supplying the material necessary to replace or repair the defective parts. WHILE MICROPHOR WILL NOT CHARGE FOR LABOR IN CONNECTION WITH WARRANTY REPAIRS OR REPLACEMENTS MADE AT ITS FACTORY, MICROPHOR AT ITS SOLE DISCRETION MAY CHARGE FOR LABOR AND EXPENSE INCURRED BY IT IN CONNECTION WITH WARRANTY REPAIRS MADE AT THE CUSTOMER'S PLANT OR LOCATION. In any event, Microphor reserves the right to determine whether or not a defect exists for which it is responsible under this warranty. A returned material authorization must be obtained from Microphor Customer Service prior to the return of any merchandise. This warranty is void if the product has been damaged by customer prior to acceptance or as a result of unreasonable use, neglect, alteration, improper service, improper installation or other causes not arising out of defects in material or workmanship or if any serial number on the product has been altered or defaced.

MICROPHOR SHALL NOT BE RESPONSIBLE FOR LOSS OF USE OF PRODUCT OR OTHER INCIDENTAL, SPECIAL OR CONSEQUENTIAL DAMAGES INCURRED BY PURCHASER INCLUDING BUT NOT LIMITED TO PERSONAL INJURY AND PROPERTY DAMAGE.

This warranty is in lieu of all other warranties express or implied, including without imitation, any implied warranties of merchantability or fitness for a particular purpose, and Microphor neither assumes nor authorizes any representative or any other persons to assume for it any other liability in connection with the sale of its products. Microphor makes no warranties, express or implied, with respect to parts, accessories, components or other goods not manufactured by Microphor.

CONTRACT WITH CUSTOMER: No terms and conditions of a customer's order at variance with Microphor's General Terms and Conditions and/or its invoice shall be binding upon Microphor unless specifically agreed to by Microphor in writing. In acknowledging any order, any and all terms and/or conditions of customer's order or correspondence contrary to those of Microphor are to be deemed waived by customer.

PATENTED PRODUCTS: Certain Microphor products and processes are patented (or patents are pending) under U.S. and foreign patents. Manufacture, reproduction or practice of such products, or processes without prior written authorization from Microphor may result in liability for patent infringement.